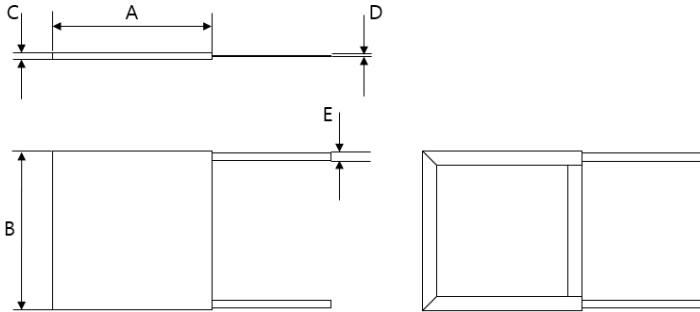


Product Name: Hience-U3, U4, U5

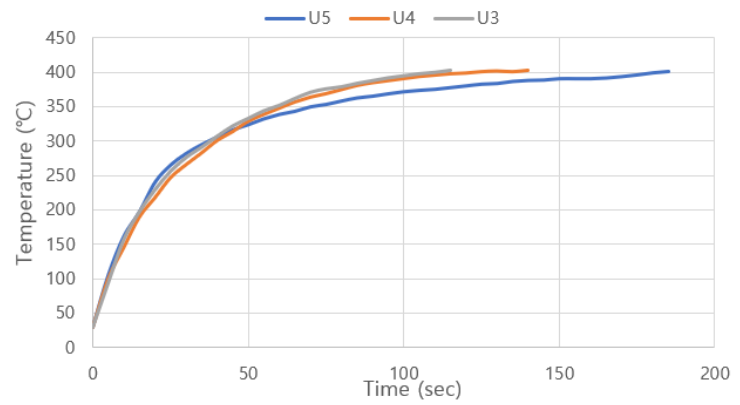
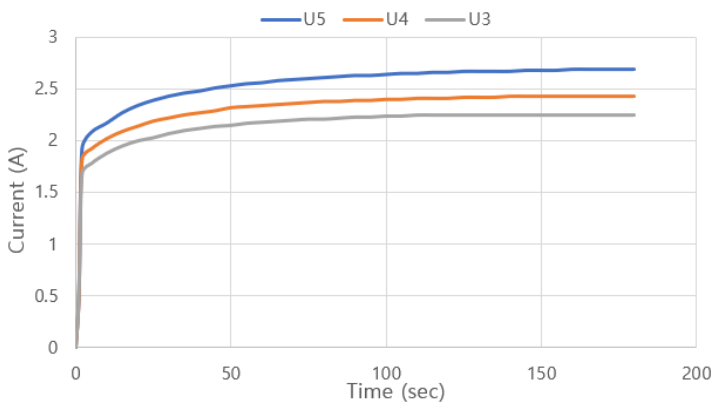
1. Dimension



unit: mm

	A	B	C	D	E
U1	30	30	1.5	0.2	2
U2	40	40	1.5	0.2	2
U3	50	50	1.5	0.2	2

2. Current and Temperature



	U3	U4	U5
Voltage (V)	9	12.5	16.9

3. Thermal Infrared Image

